

# Model FP2108

Portable filtration system

## Advanced filtration systems for fluid power applications

*Maintains Fluids Within Aerospace Specifications  
Eliminating Varnish, Sludge, Water,  
and Particulate Contamination*

**Reduce Maintenance and extend  
equipment life**

**Reducing your cost today to  
increase your profits tomorrow**



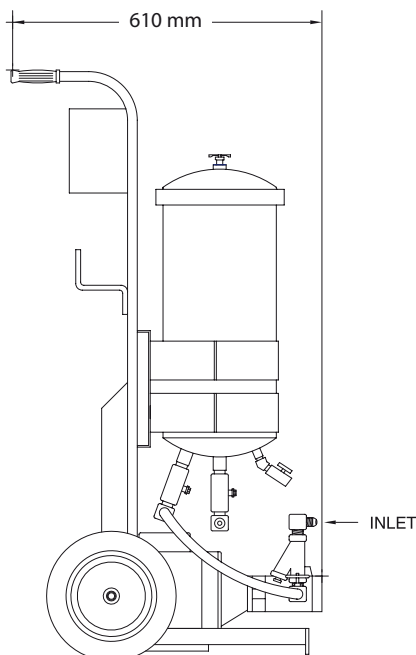
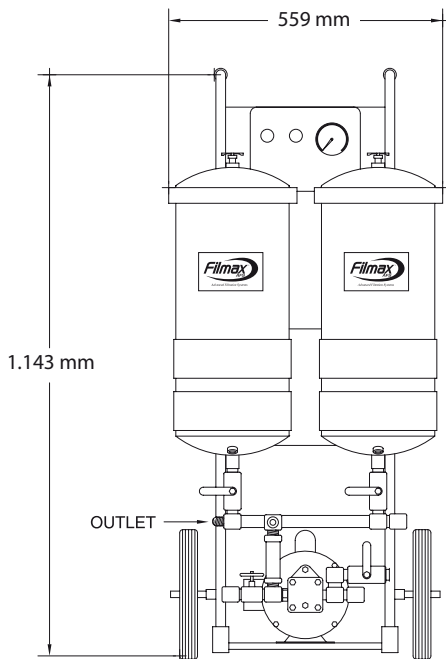
**Marine Technic a/s**

Depotvej 3 . DK 4700 Naestved . Denmark  
Phone +45 55 70 06 99 . Fax: +45 55 70 08 40 . sales@marinetechnic.com  
www.marinetechnic.com

# Model FP2108

Portable filtration system

## Portable Filtration System Model FP2108



### 1.135 LPH

#### Applications

*Hydraulic Oils • Compressor Oils  
Gear Oil • Synthetic Lubricants • Phosphate Ester Fluids  
Insulating Oils • Turbine Oil • Water Glycols*

#### Specifications

- 3/4 HP TEFC Heavy Duty Motor with Thermal Overload Protection.
- 30 LPM Positive Displacement Gear Pump with Internal Relief Valve.
- Two (2) Polyurethane Powder Baked F-1000 Element Housings.
- Wired 110 Volt or 220 Volt, 1 Phase with all electrical components mounted in a NEMA 4 enclosure.
- Automatic High/Low Pressure Shutdown System for unattended operation.
- 0-100 PSI Glycerin Filled Gauge for monitoring system pressure.
- Plumbed with 3/4" fittings and 1" stainless steel tubing.
- 3/4" inlet and 3/4" outlet with ball valves provided to isolate unit for element change.
- Two (2) 3 m. 3/4" inlet and outlet hydraulic hoses with hose ends.
- 9 m. of Heavy Duty 12/3 Power Cable.
- Manufactured with 3-way ball valve for Fluid Transfer System and to allow for adding makeup oil.
- Suction-Wye Strainer to protect pump from large debris.
- Heavy-Duty 10" Pneumatic Tires.
- Filtration Capacity of 24 LPM and Fluid Transfer Capacity of 30 LPM.



## Marine Technic a/s

Depotvej 3 . DK 4700 Naestved . Denmark

Phone +45 55 70 06 99 . Fax: +45 55 70 08 40 . sales@marinetechnic.com

www.marinetechnic.com